



## Main Features

- Intel® Celeron® J3160/Core™ i3-6100U/Core™ i5-6200U
- HDMI (4K Resolution) and VGA independent displays (J3160)
- USB 3.0 support
- WLAN support
- Compact and fanless design
- Wide Temperature Support

## Product Overview

Powered by new generation Intel® Celeron® J3160/Core™ i3-6100U/Core™ i5-6200U SoC processor, NDiS B325 series digital signage player can handle very rich multimedia contents. With Intel® processor low power consumption feature, In addition, the 6th generation Intel® Core™ processors deliver significant improvements up to two and a half times the performance in graphics offering stunning visuals for compelling 4K content creation and media playback. NDiS B325 series supports display output by HDMI and VGA ports (J3160). NDiS B325 (J3160) is ideal as entry level digital signage player, NDiS B325-SI3 (i3-6100U) is high performance player, adding integration flexibility with various peripherals such as touchscreen displays, scanners, readers, and many more. NDiS B325 series The fanless design with wide temperature durability further extends to semi-outdoor usage like QSR drivethrough kiosks, box ofce displays, information stands, bus stops, or digital transit information signs. It is also ideal as a digital signage player delivering enhanced performance and new immersive experiences for advertising, hospitality and brand promotion applications.

## Specifications

### CPU Support

- Intel® Celeron® SoC Processor J3160 Quad Core 1.6GHz up to 2.24GHz (NDiS B325/B325-B)
- Intel® Core™ i3-6100U SoC processor Dual Core 2.3GHz (NDiS B325-SI3)
- Intel® Core™ i5-6200U SoC processor Dual Core 2.3GHz up to 2.8GHz (NDiS B325-SI5)

### Graphics

- Intel® HD Graphics (NDiS B325/B325-B)
- Intel® HD520 Graphics (NDiS B325-SI3/B325-SI5)

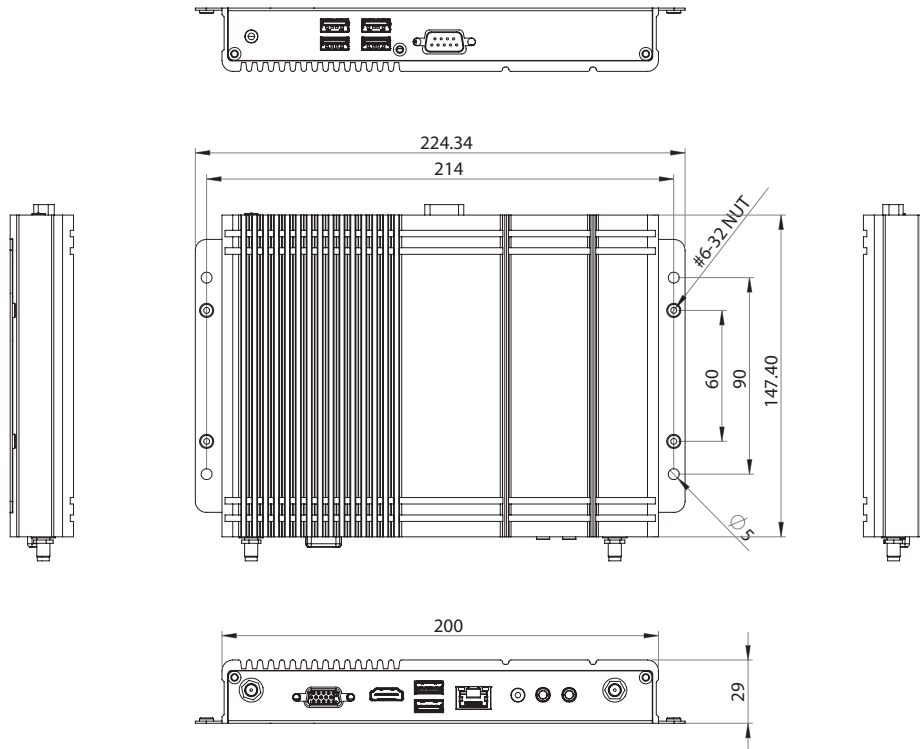
### Main Memory

- 1 x 204-pin SO-DIMM socket, supports DDR3L non-ECC, un-buffered memory up to 8G (NDiS B325/B325-B)
- 1 x 260-pin SO-DIMM Sockets, Supports DDR4 1866/2133 MHz non-ECC, un-buffered memory up to 8G (NDiS B325-SI3/B325-SI5)

### I/O Interface-Front

- 2 x USB 2.0
- 2 x USB 3.0
- 1 x DB9 for RS232
- 1 x Power LED (NDiS B325)
- 1 x Power Switch with LED (NDiS B325-SI3/B325-SI5/B325-B)

## Dimension Drawing



### I/O Interface-Rear

- 19V DC Power in
- 1 x VGA (NDiS B325/B325-B Only, NDiS B325-SI3/B325-SI5 change to HDMI)
- 1 x HDMI (4K Resolution)
- 2 x Antenna hole for Wi-Fi or TV tuner
- 2 x USB 3.0
- 1 x RJ45 with LEDs for 10/100/1000Mbps Ethernet
- 1 x Audio-out
- 1 x Mic-in

### Storage

- 1 x 2.5" SATA HDD Bay

### Dimensions

- 226.34 x 147.40 x 29.00 mm

### Power Supply

- 1 x External 65W AC/DC power adapter

### Expansion

- 1 x mini-PCIe slot (NDiS B325/B325-B)
- 1 x NGFF (M.2) E key for optional 22x 30 WLAN module (NDiS B325-SI3/B325-SI5)

### Environment

- Operating temperature: -20°C~50°C
- Storage temperature: -25°C to 80°C
- Humidity: 10 to 90% (non-condensing)

### Certification

- CE approval
- FCC Class A

### Operating System

- Win 7/WES7/Win 8/WE8S/Win 10/Linux

## Ordering Information

- **NDiS B325 (P/N: 10W00B32500X0)**  
Intel® Celeron® J3160 Quad Core fanless system
- **NDiS B325-B (P/N: 10W00B32510X0)**  
Intel® Celeron® J3160 Quad Core fanless system with Power Button
- **NDiS B325-SI3 (PN: 10W00B32506X0)**  
Intel® Core™ i3-6100U Dual Core fanless system
- **NDiS B325-SI5 (P/N: 10W00B32502X0)**  
Intel® Core™ i5-6200U Dual Core fanless system